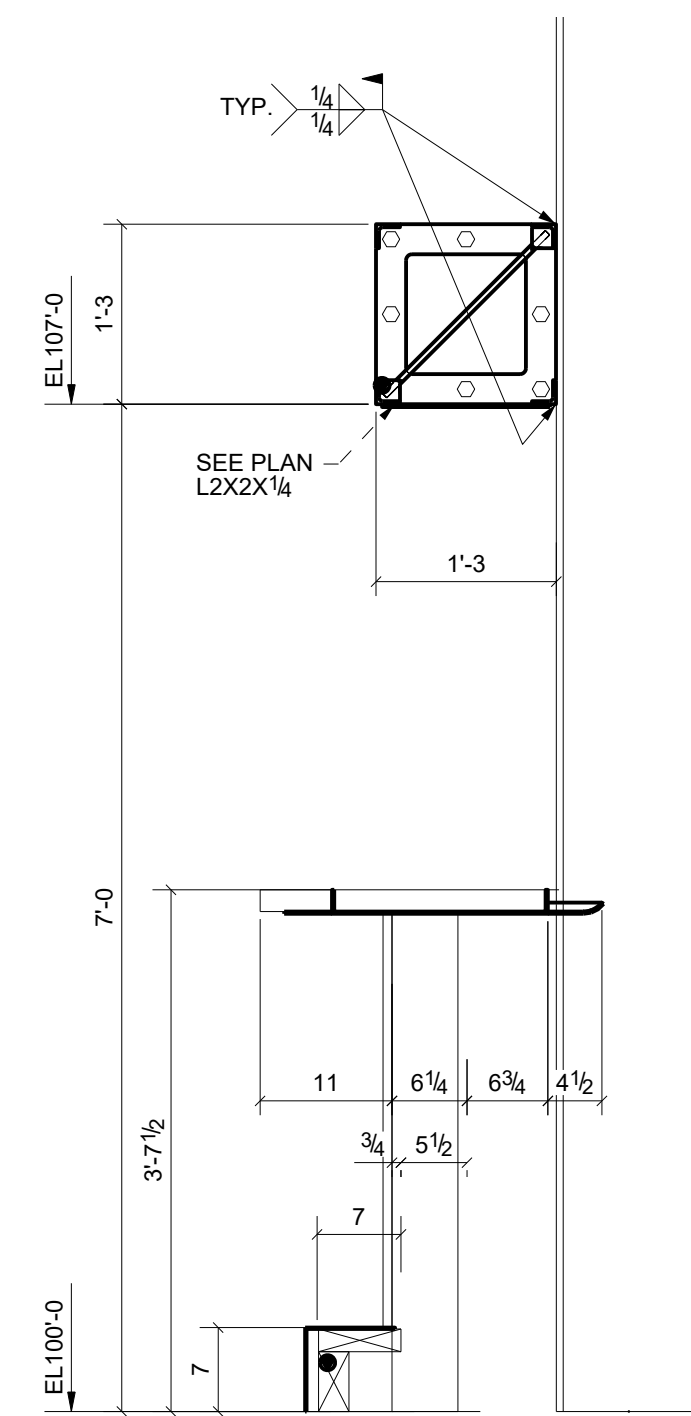
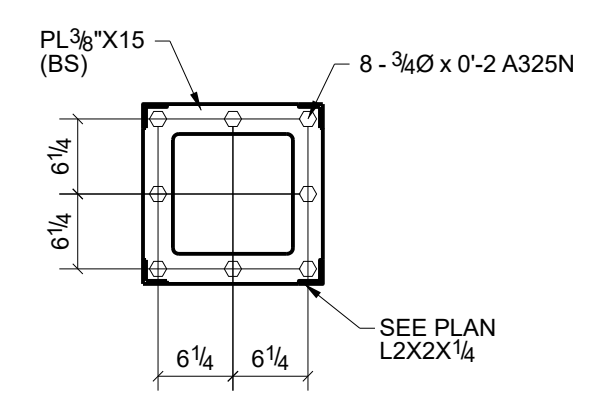


LIGHT FIXTURES SUPPORT PLAN

BY OTHERS



A SECTION
E105



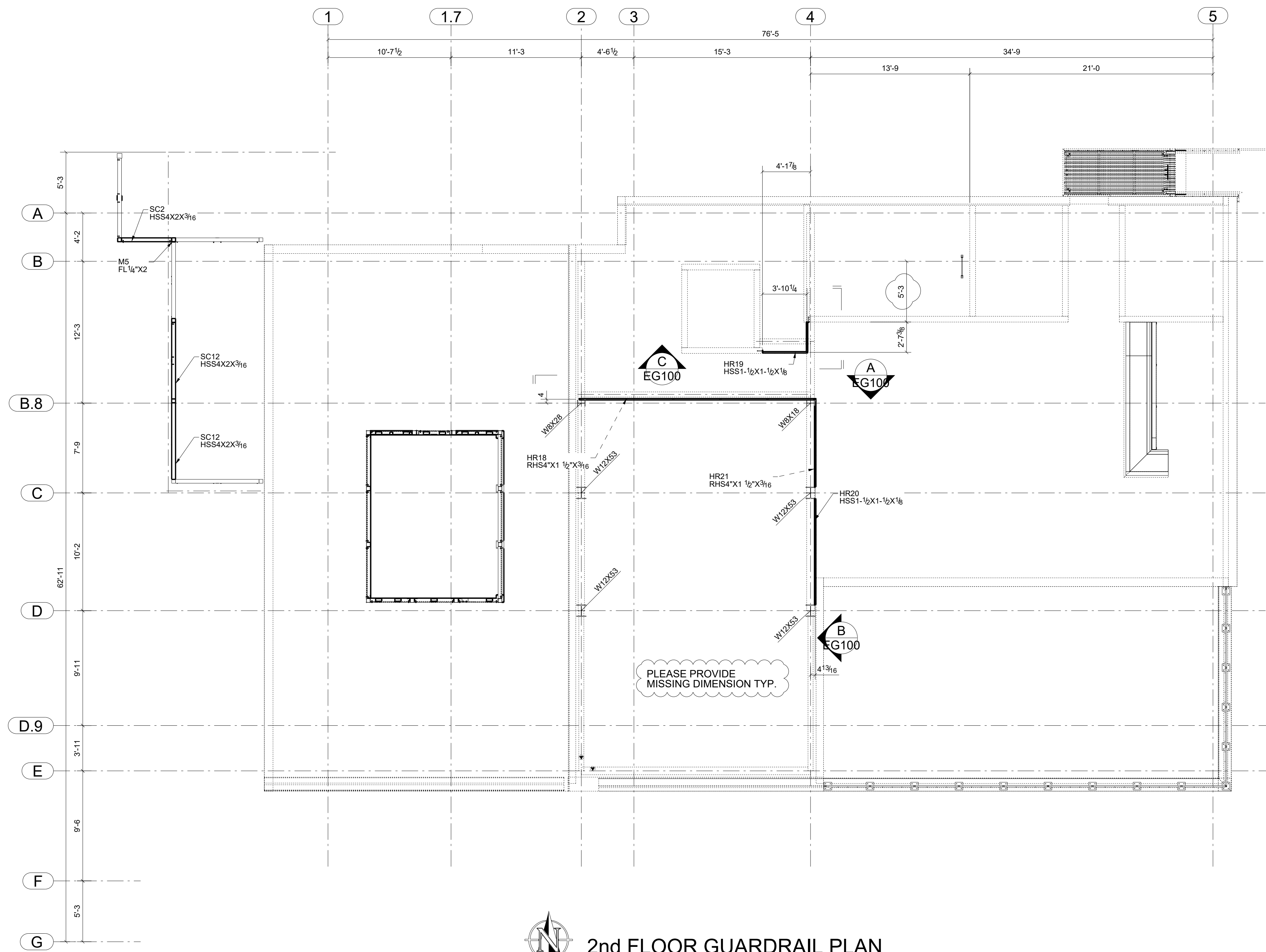
B SECTION
E105

ALL VERIFICATION REQUESTS ON THIS SET OF DRAWINGS WILL BE ASSUMED CORRECT AS SHOWN UNLESS OTHERWISE NOTED. WHERE FABRICATOR HAS REQUESTED INFORMATION TO BE PROVIDED, CONTRACTOR IS RESPONSIBLE TO COORDINATE WITH TRADES, ARCHITECT AND ENGINEER AS REQ'D TO COMPLETE VERIFICATION REQUESTS, OR STEEL DELIVERY MAY BE DELAYED. ANY REFABRICATION COST DO TO INCOMPLETE OR INACCURATE VERIFICATION RESPONSES WILL BE BILLED AS EXTRA TO THE GENERAL CONTRACTOR.

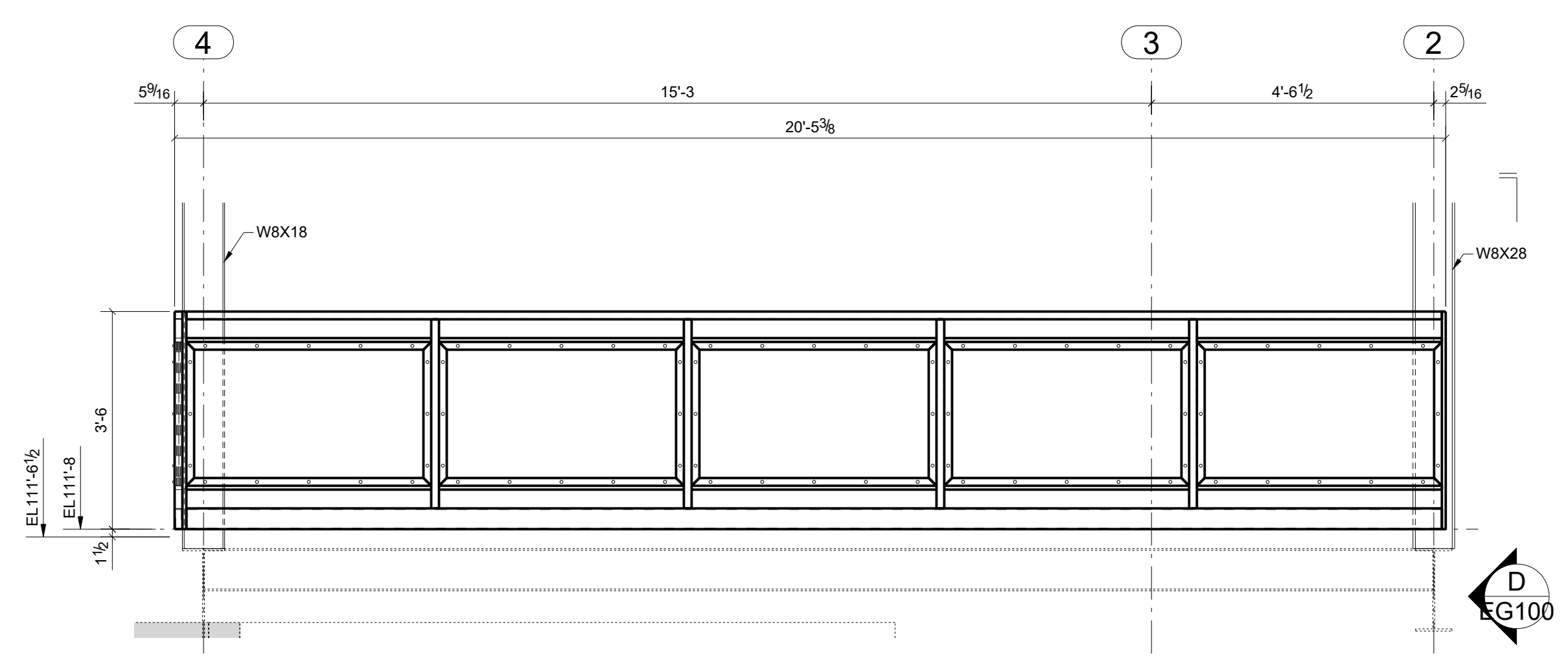
NO BACK CHARGES ACCEPTED WITHOUT WRITTEN APPROVAL FROM .
REPRODUCTION OR FABRICATION FROM THIS DRAWING IS NOT PERMITTED WITHOUT WRITTEN PERMISSION FROM .

ISSUED FOR APPROVAL	DATE	PROJECT:	BLVD PUB & GRUB	DRAWN	DATE
RESUBMITTAL		LOCATION:	WEST FARGO ND	JOB No.	BLVD
PURCHASING		ENGINEER:	CHRIS HAWLEY ARCHITECTS	SH No.	E105
FABRICATION		CONTRACTOR:			
JOB USE					

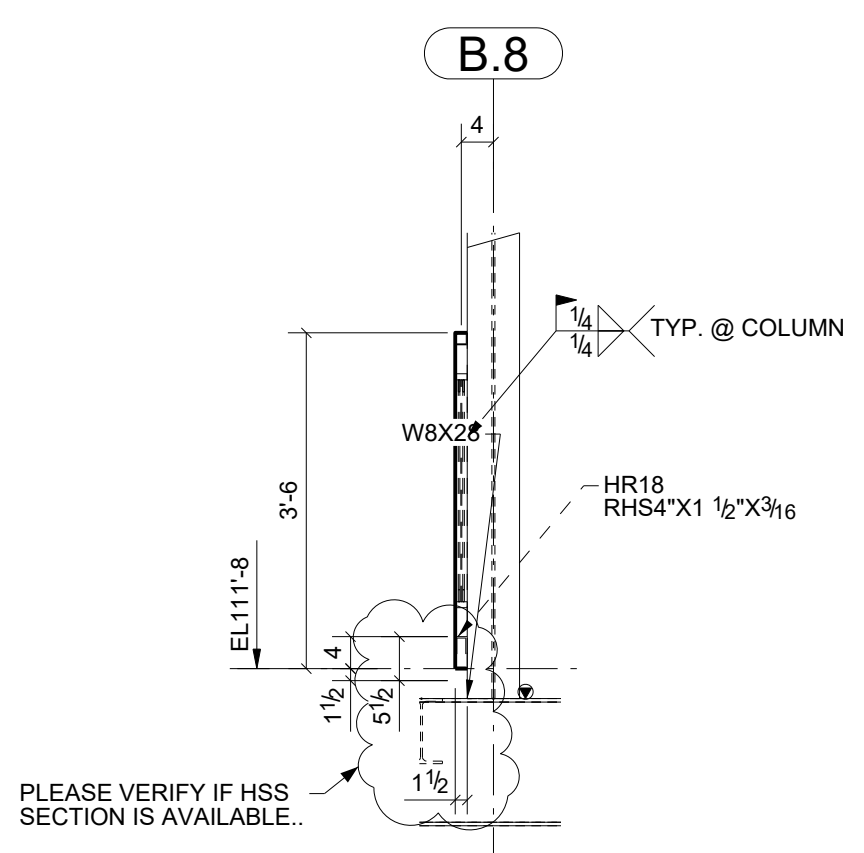
REV	DESCRIPTION	DATE
0	ISSUED FOR CONSTRUCTION	18/JAN/2016



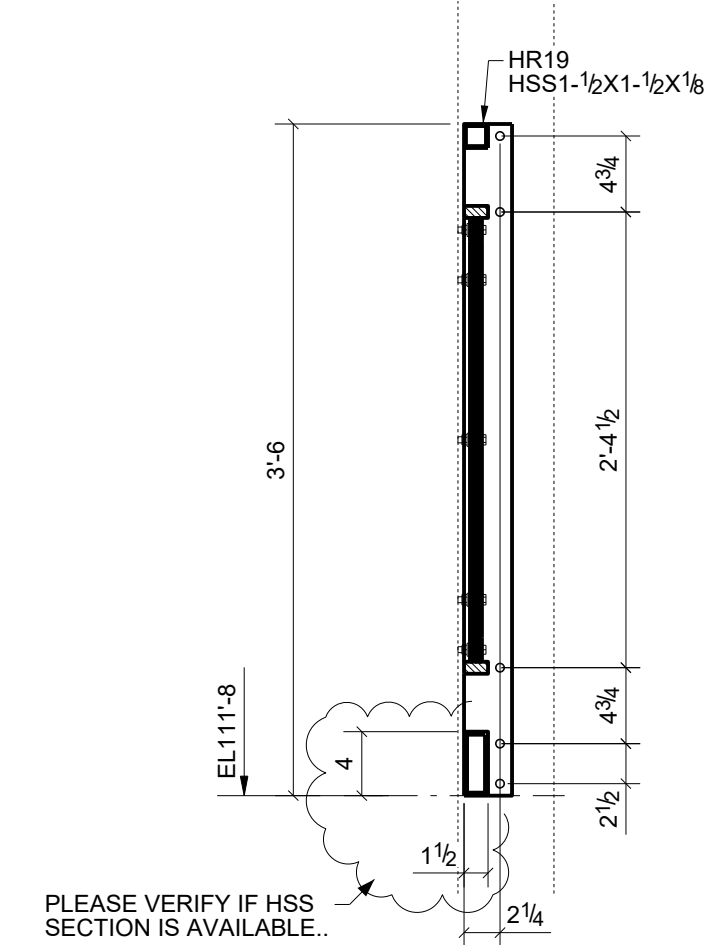
2nd FLOOR GUARDRAIL PLAN



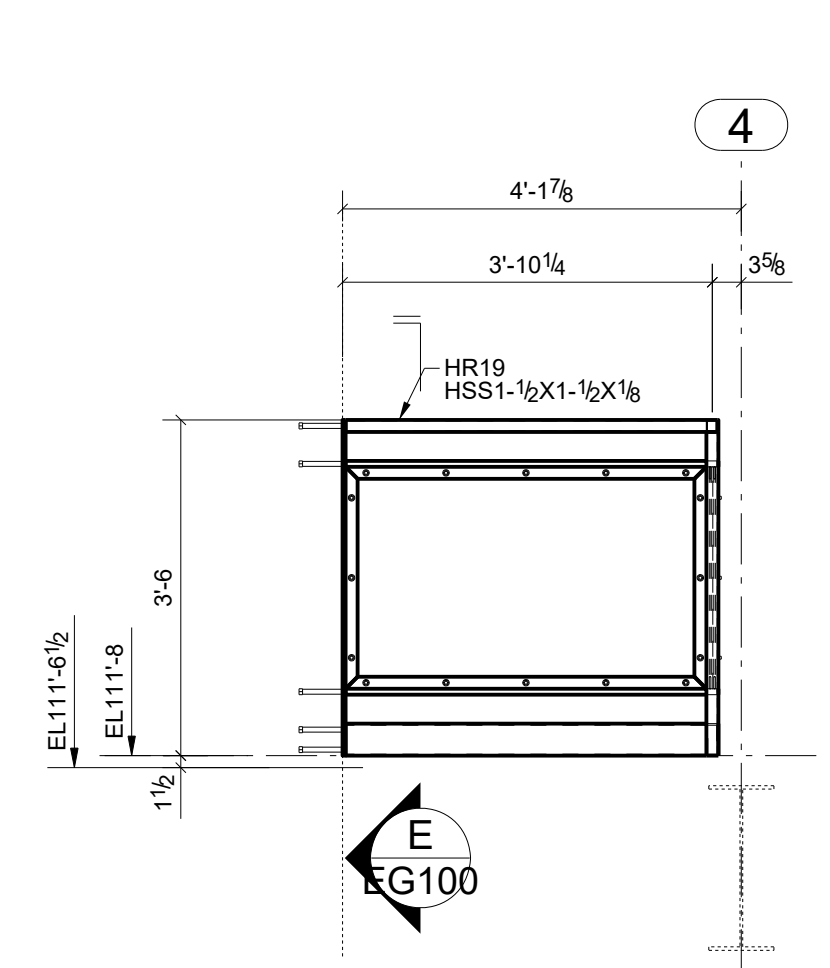
A SECTION EG100



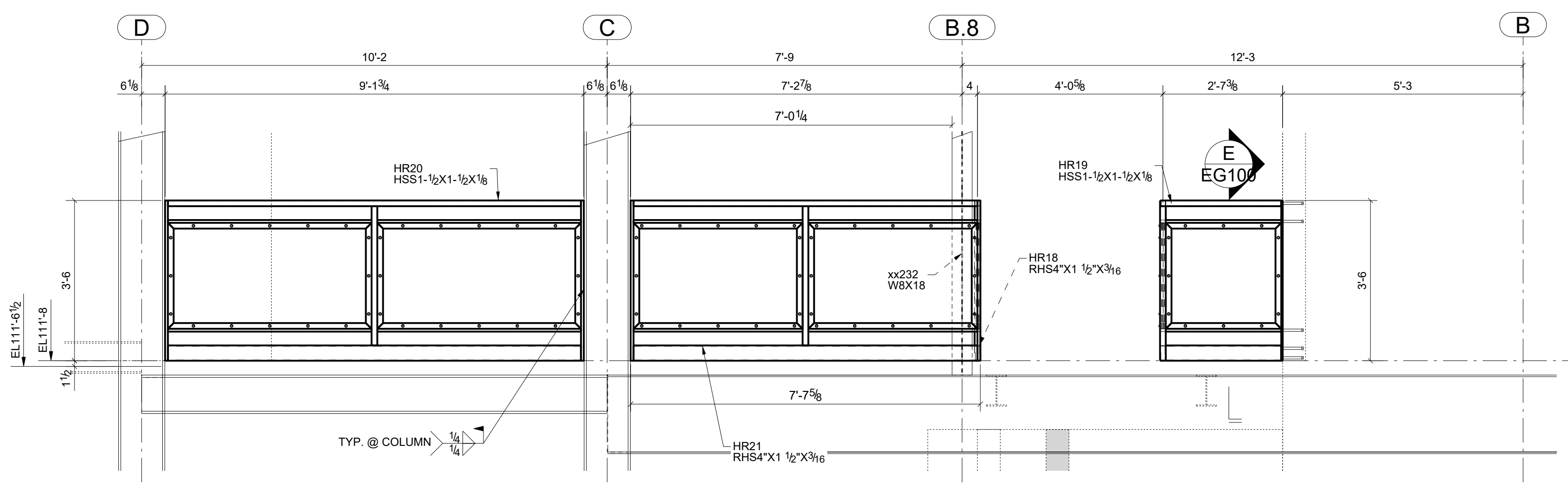
B.8 SECTION EG100



D SECTION EG100



C SECTION EG100

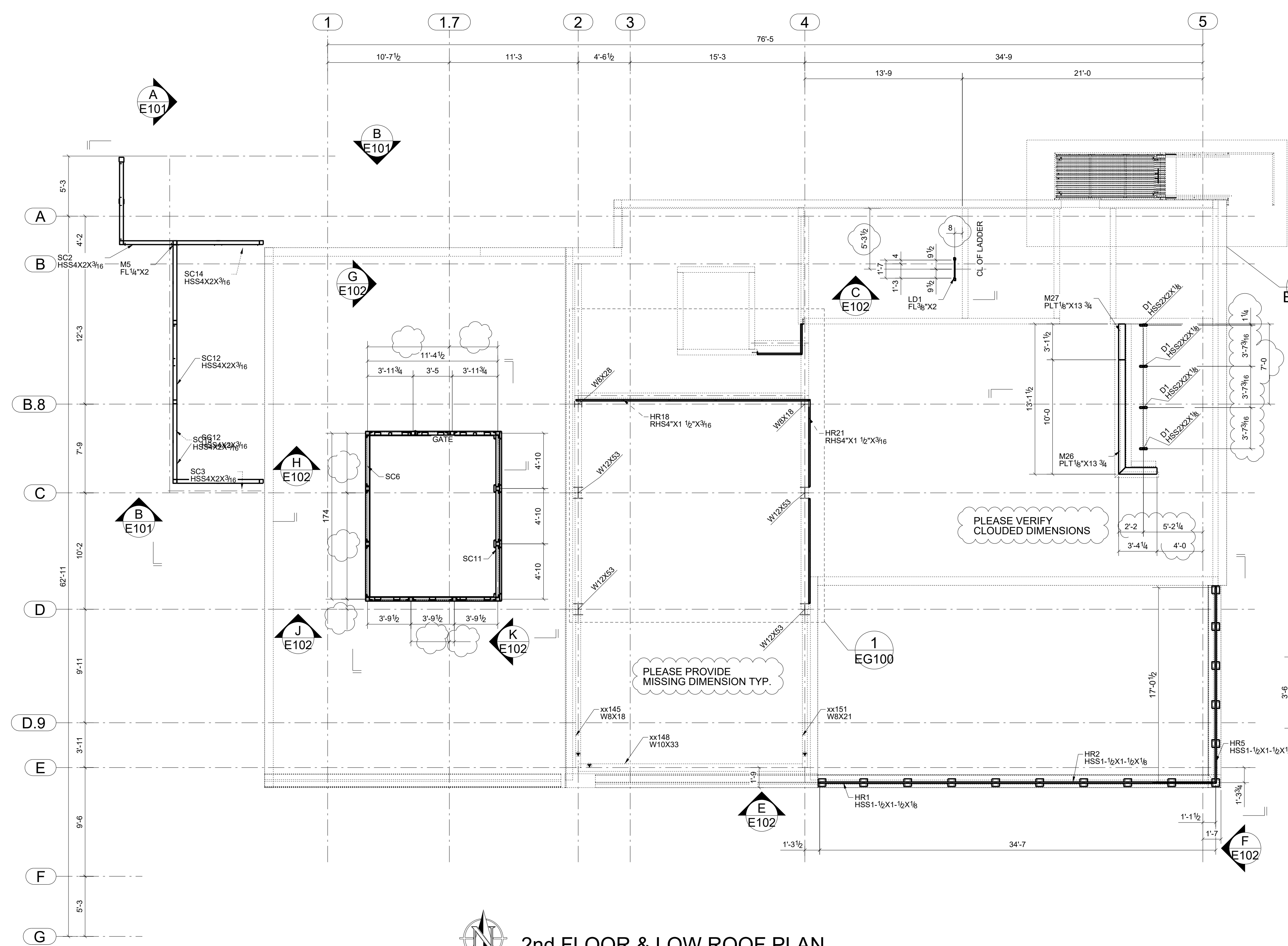


B SECTION EG100

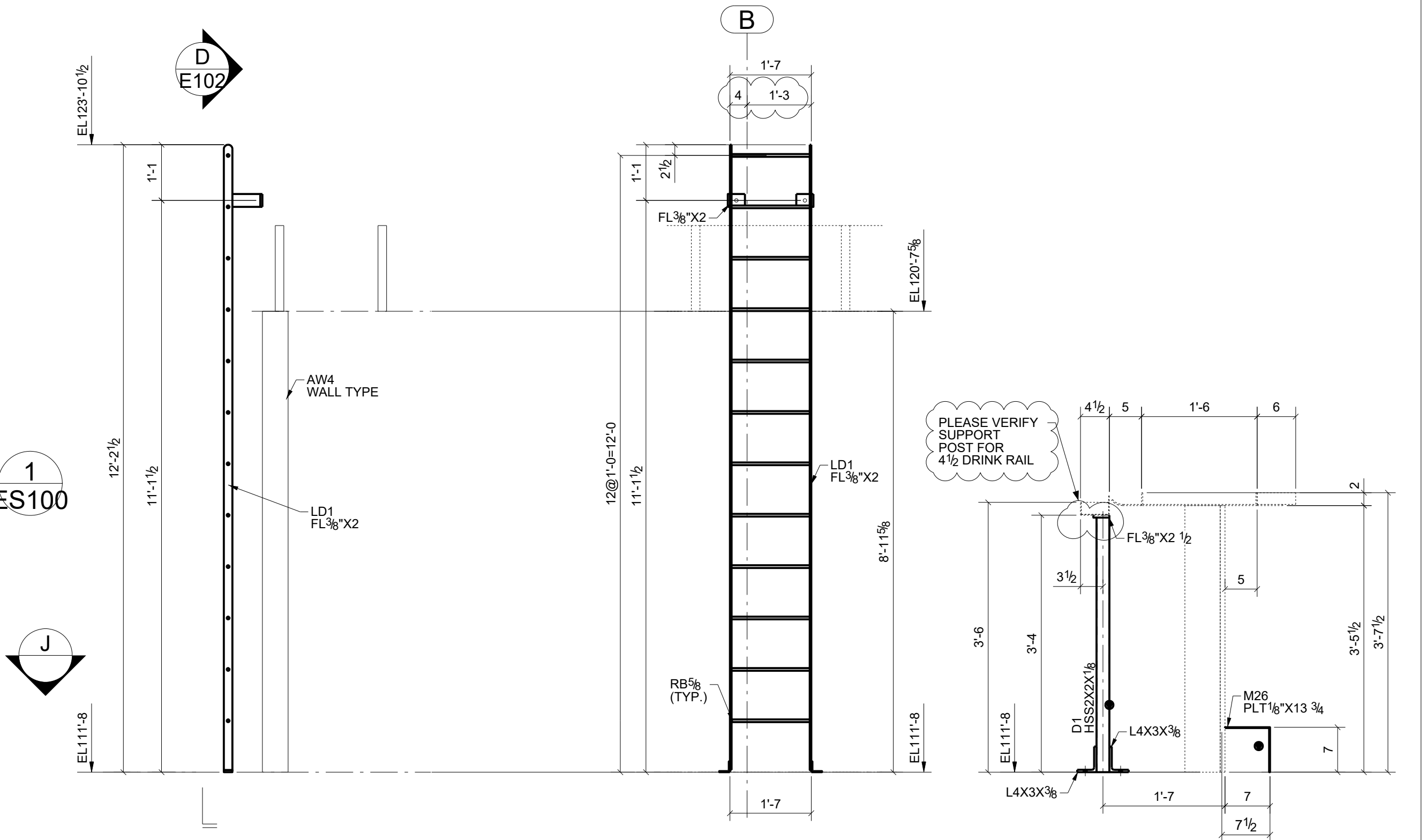
ALL VERIFICATION REQUESTS ON THIS SET OF DRAWINGS WILL BE ASSUMED CORRECT AS SHOWN UNLESS OTHERWISE NOTED. WHERE FABRICATOR HAS REQUESTED INFORMATION TO BE PROVIDED, CONTRACTOR IS RESPONSIBLE TO COORDINATE WITH TRADES, ARCHITECT AND ENGINEER AS REQ'D TO COMPLETE VERIFICATION REQUESTS, OR STEEL DELIVERY MAY BE DELAYED. ANY REFABRICATION COST DO TO INCOMPLETE OR INACCURATE VERIFICATION RESPONSES WILL BE BILLED AS EXTRA TO THE GENERAL CONTRACTOR.

NO BACK CHARGES ACCEPTED WITHOUT WRITTEN APPROVAL FROM .
REPRODUCTION OR FABRICATION FROM THIS DRAWING IS NOT PERMITTED WITHOUT WRITTEN PERMISSION FROM

ISSUED FOR APPROVAL	DATE	PROJECT:	BLVD PUB & GRUB	DRAWN	DATE
RESUBMITTAL		LOCATION:	WEST FARGO ND	JOB No.	BLVD
PURCHASING		ENGINEER:	CHRIS HAWLEY ARCHITECTS	SH No.	EG100
FABRICATION		CONTRACTOR:			
JOB USE					
1	ISSUED FOR CONSTRUCTION	03/FEB/2016			
REV	DESCRIPTION	DATE			



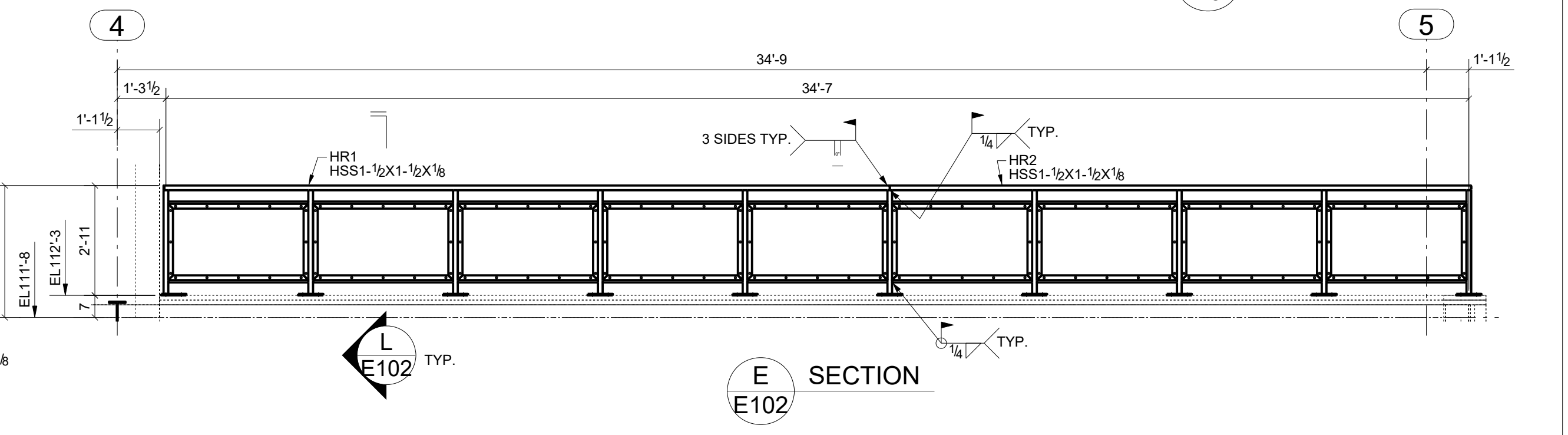
2nd FLOOR & LOW ROOF PLAN



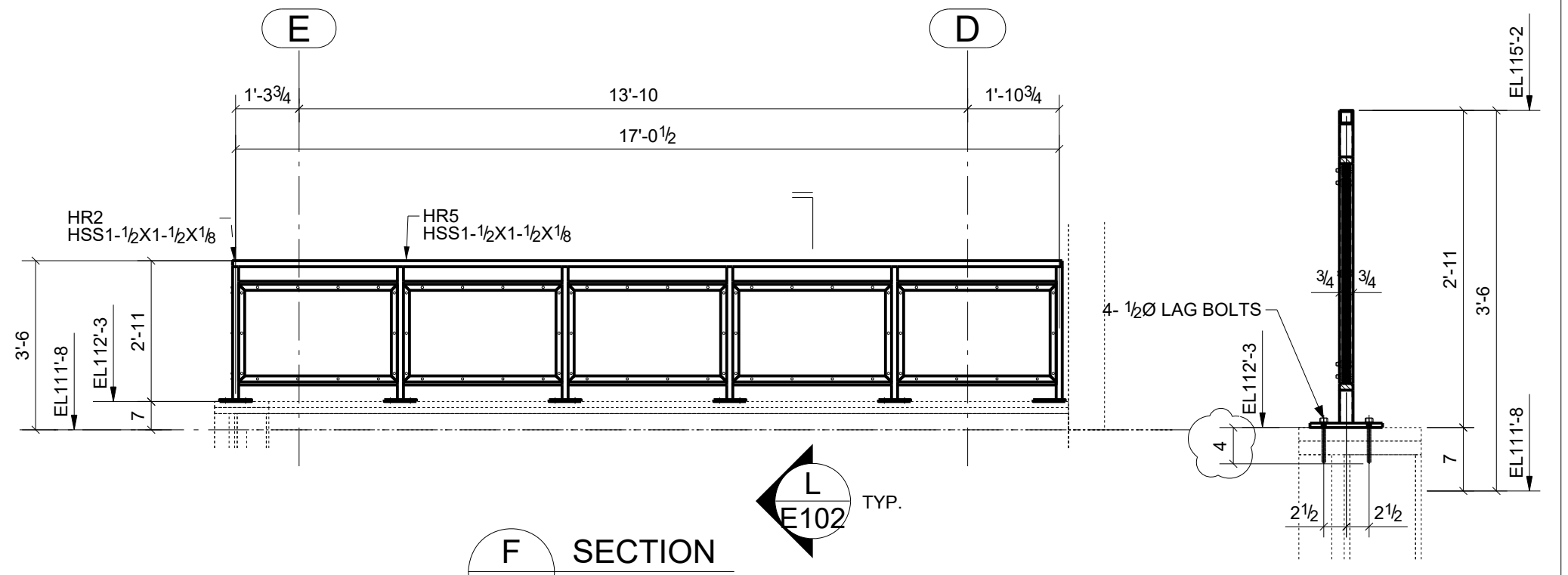
C SECTION E102

D SECTION E102

J SECTION E102

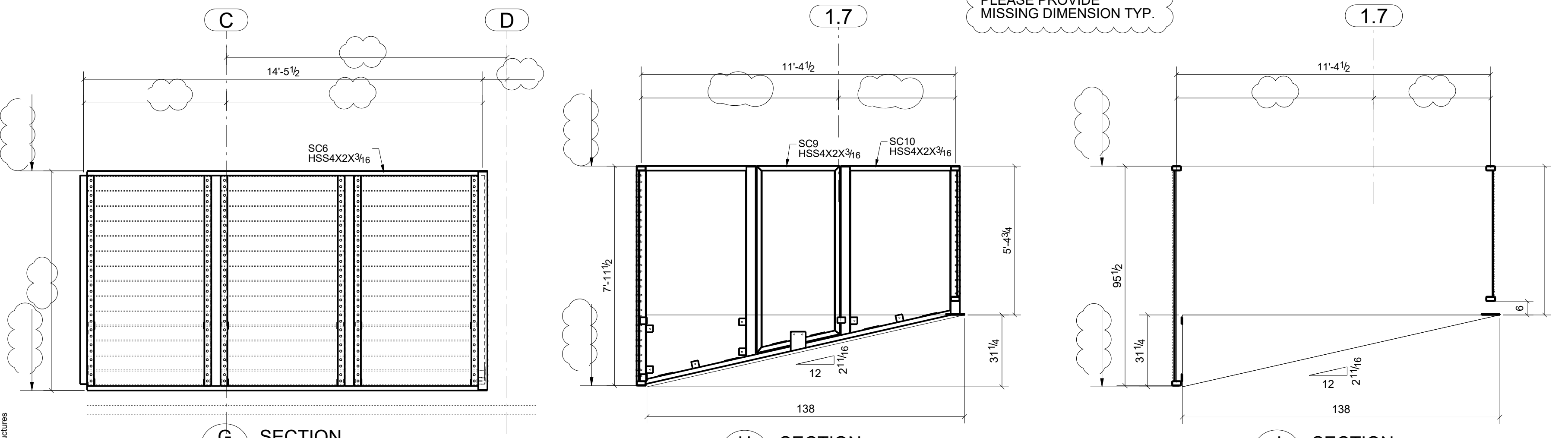


E SECTION E102



F SECTION E102

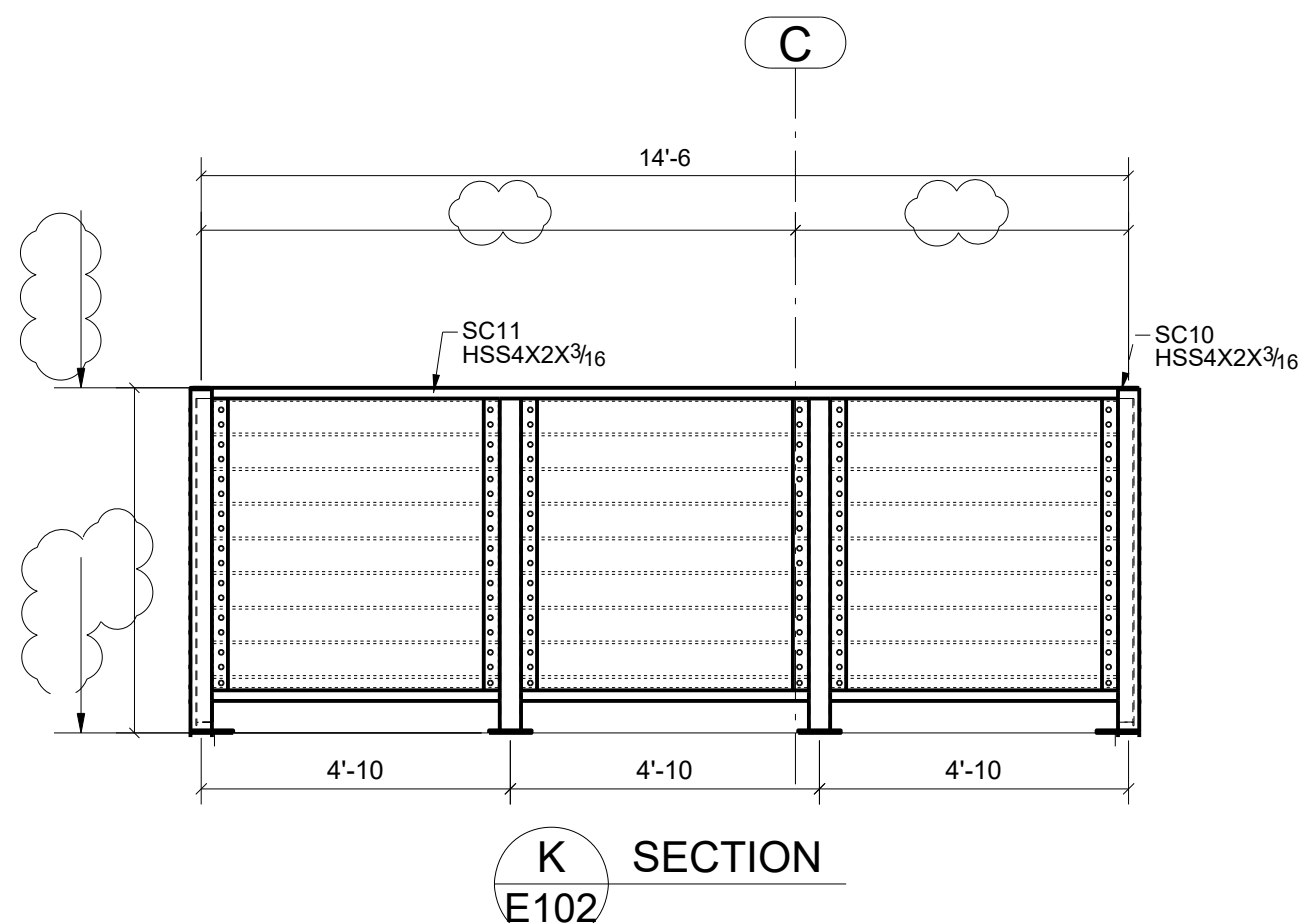
L SECTION E102



G SECTION E102

H SECTION E102

J SECTION E102



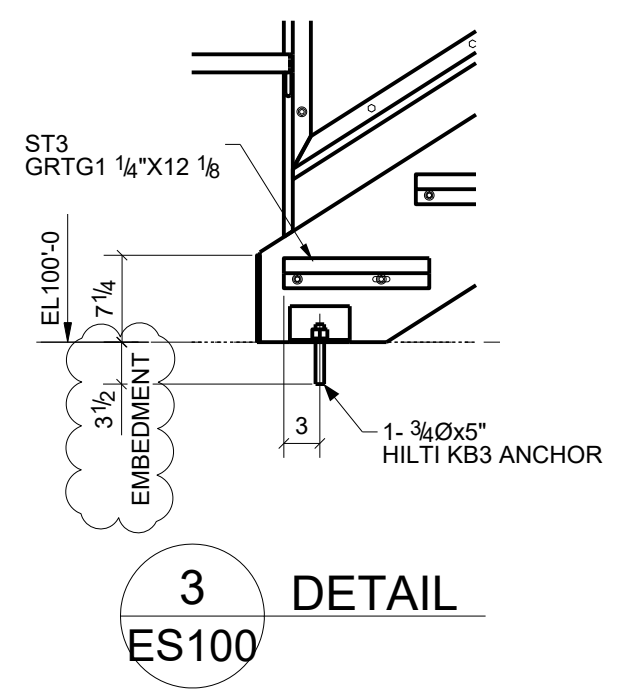
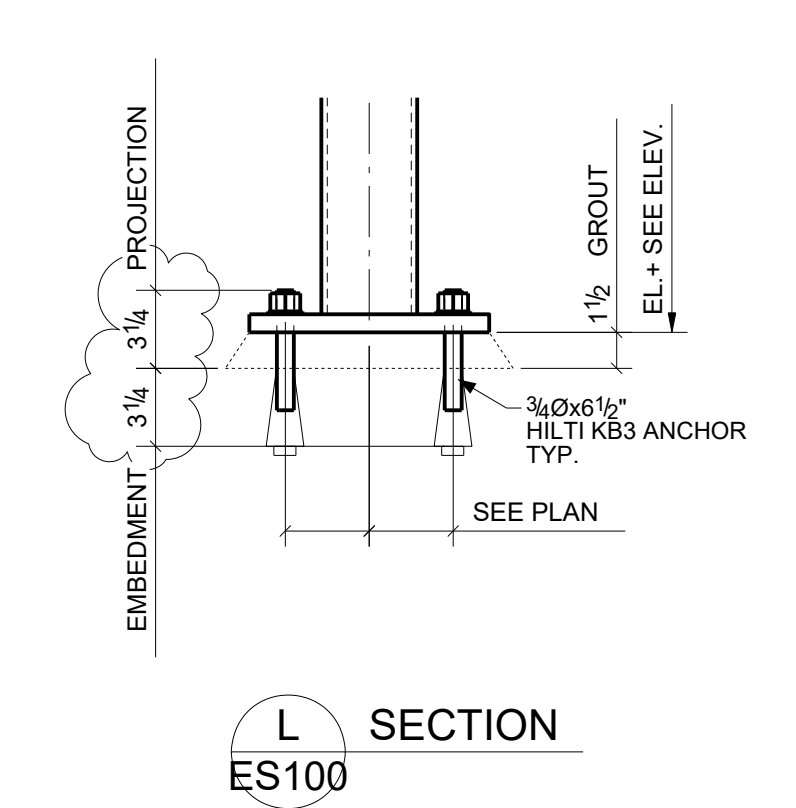
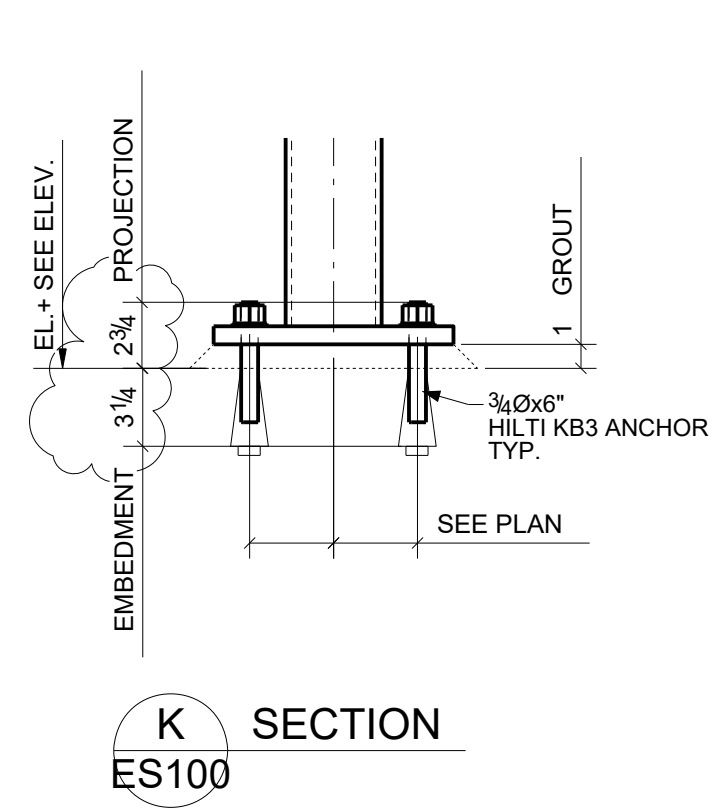
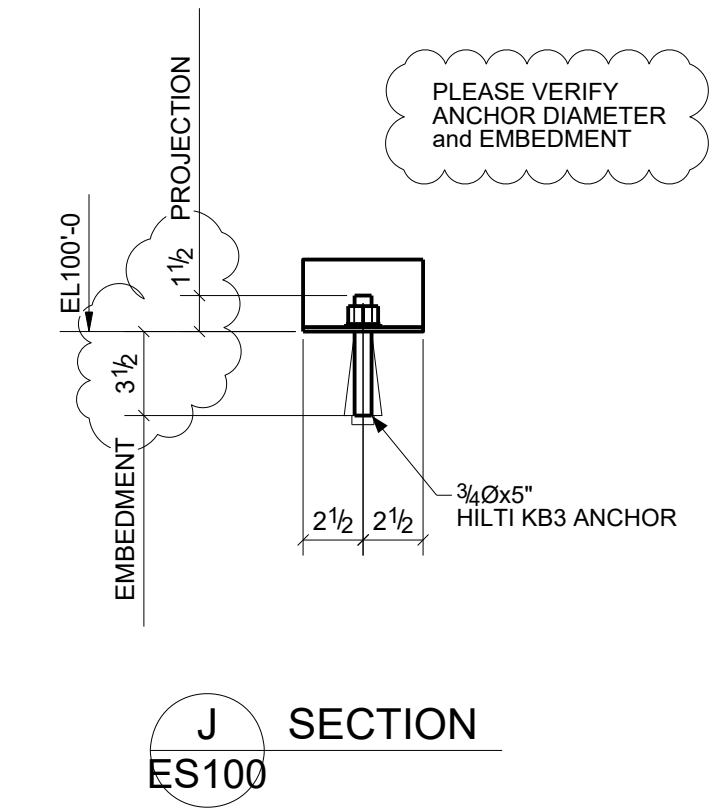
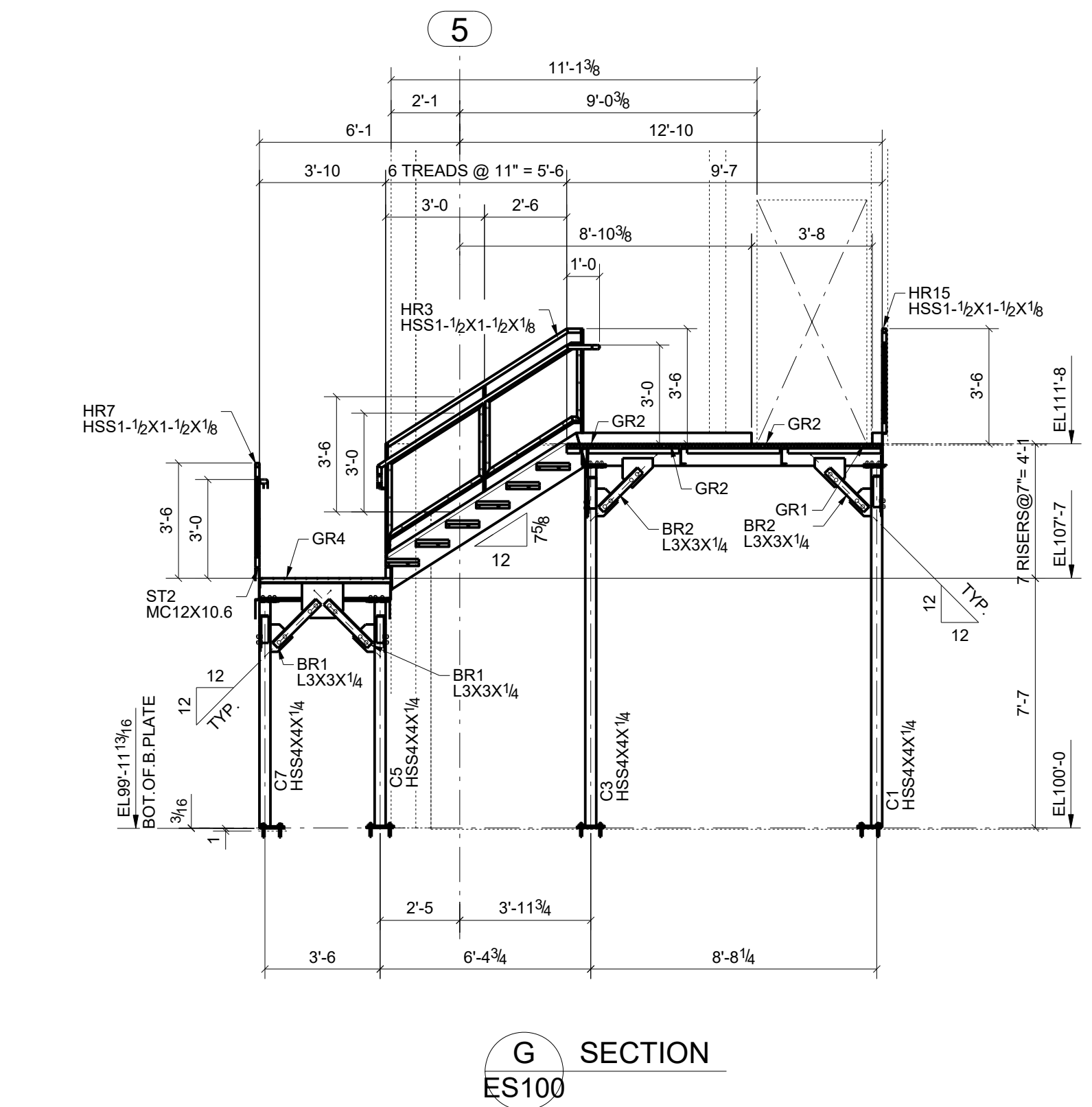
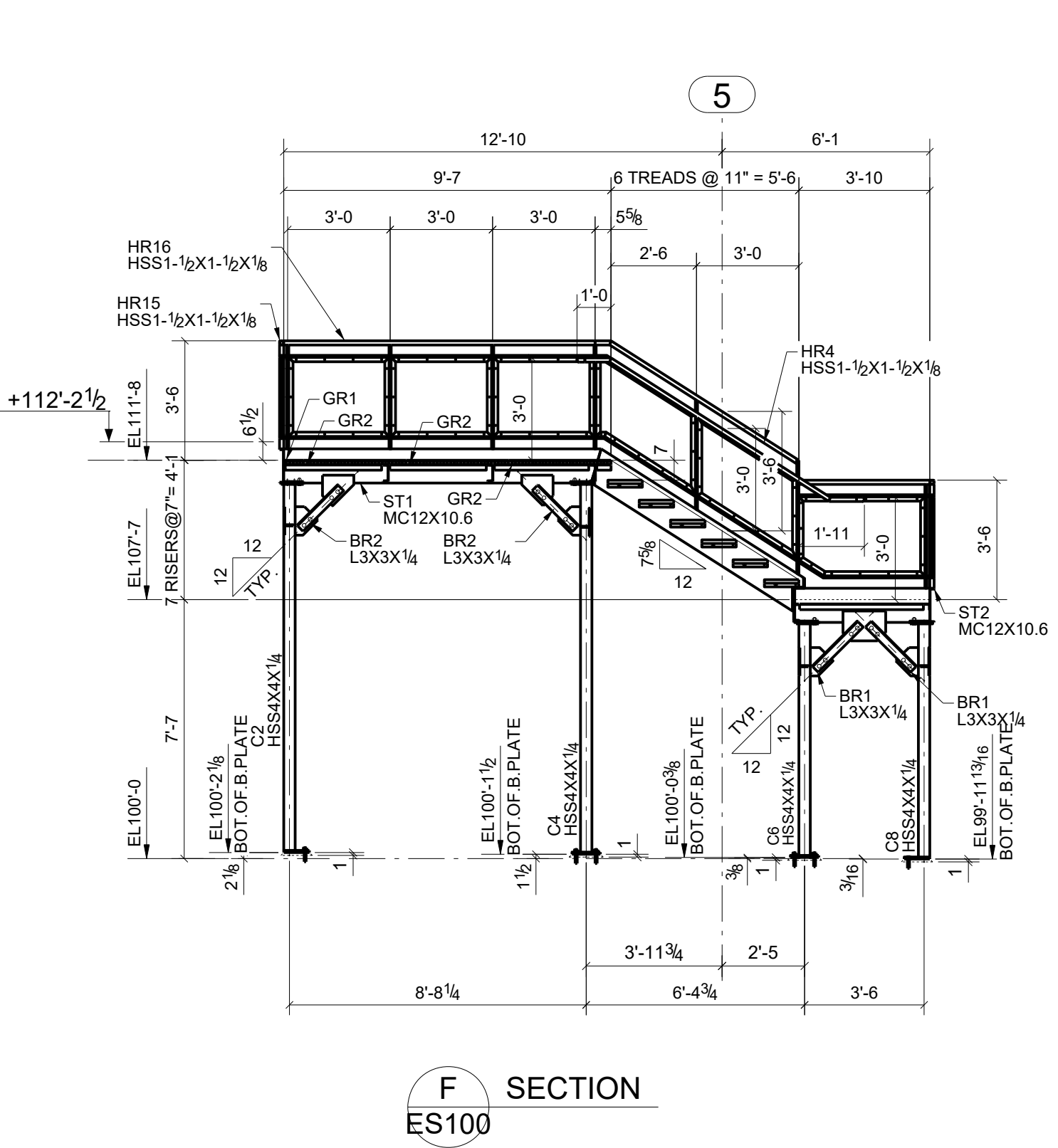
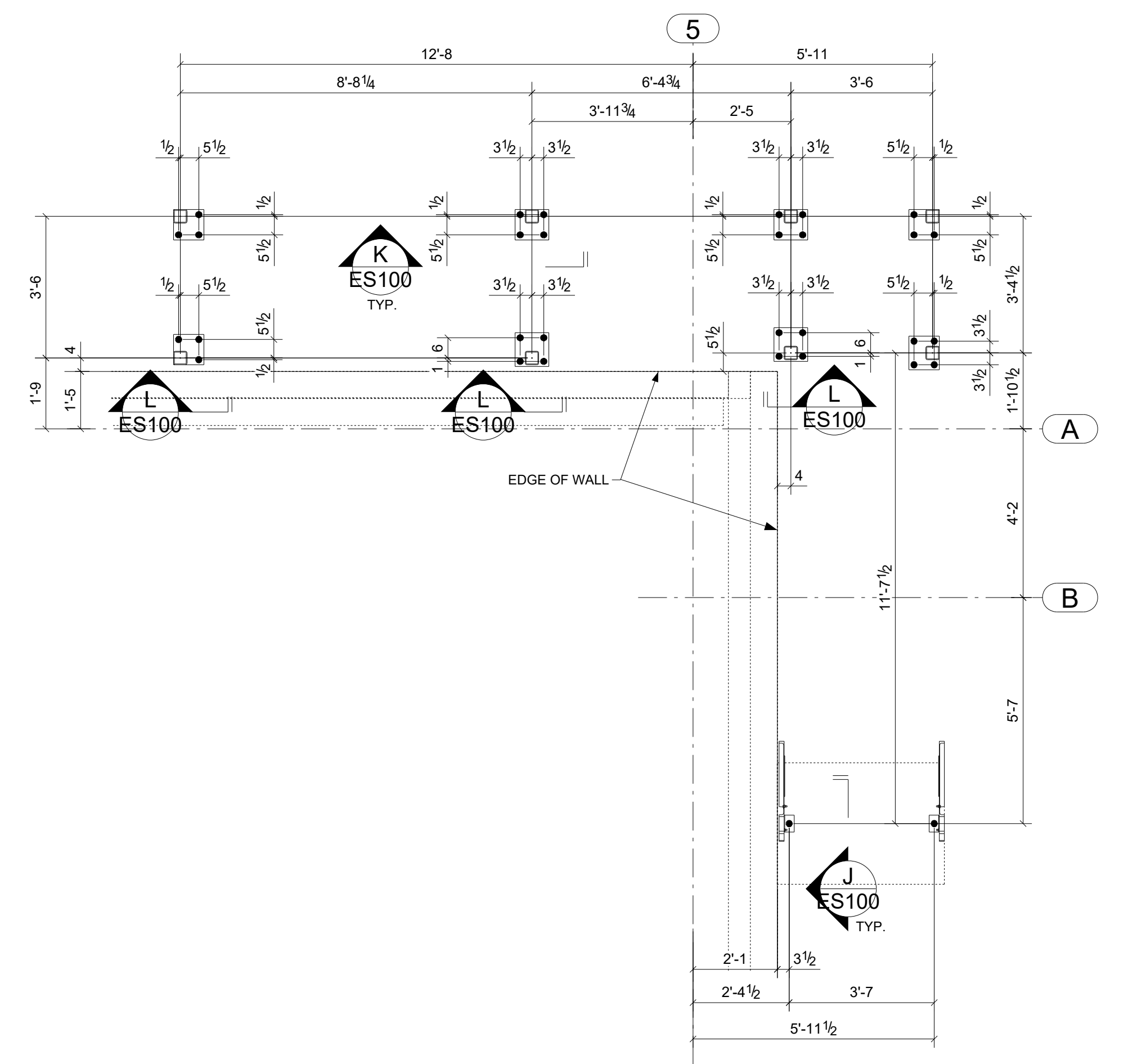
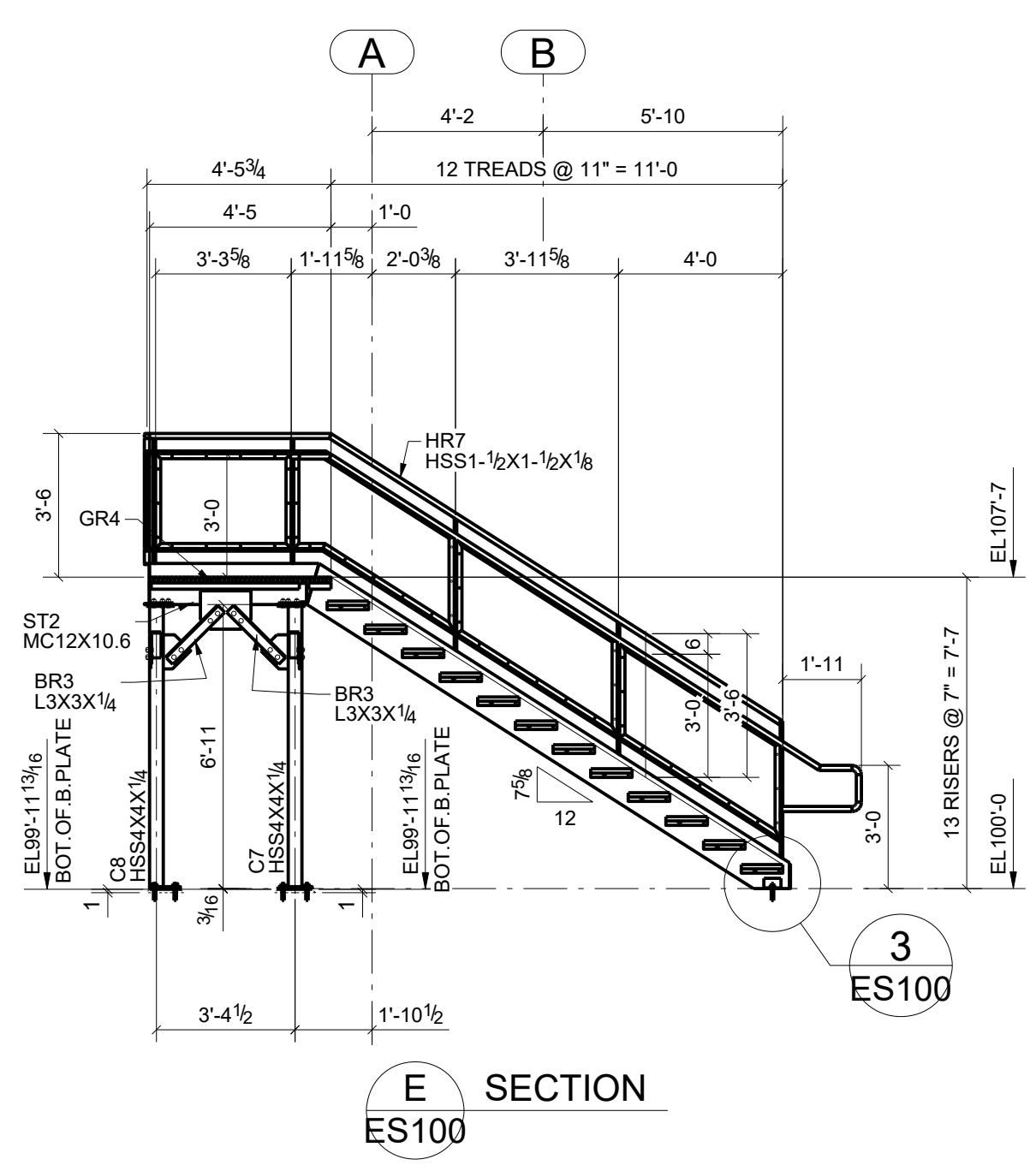
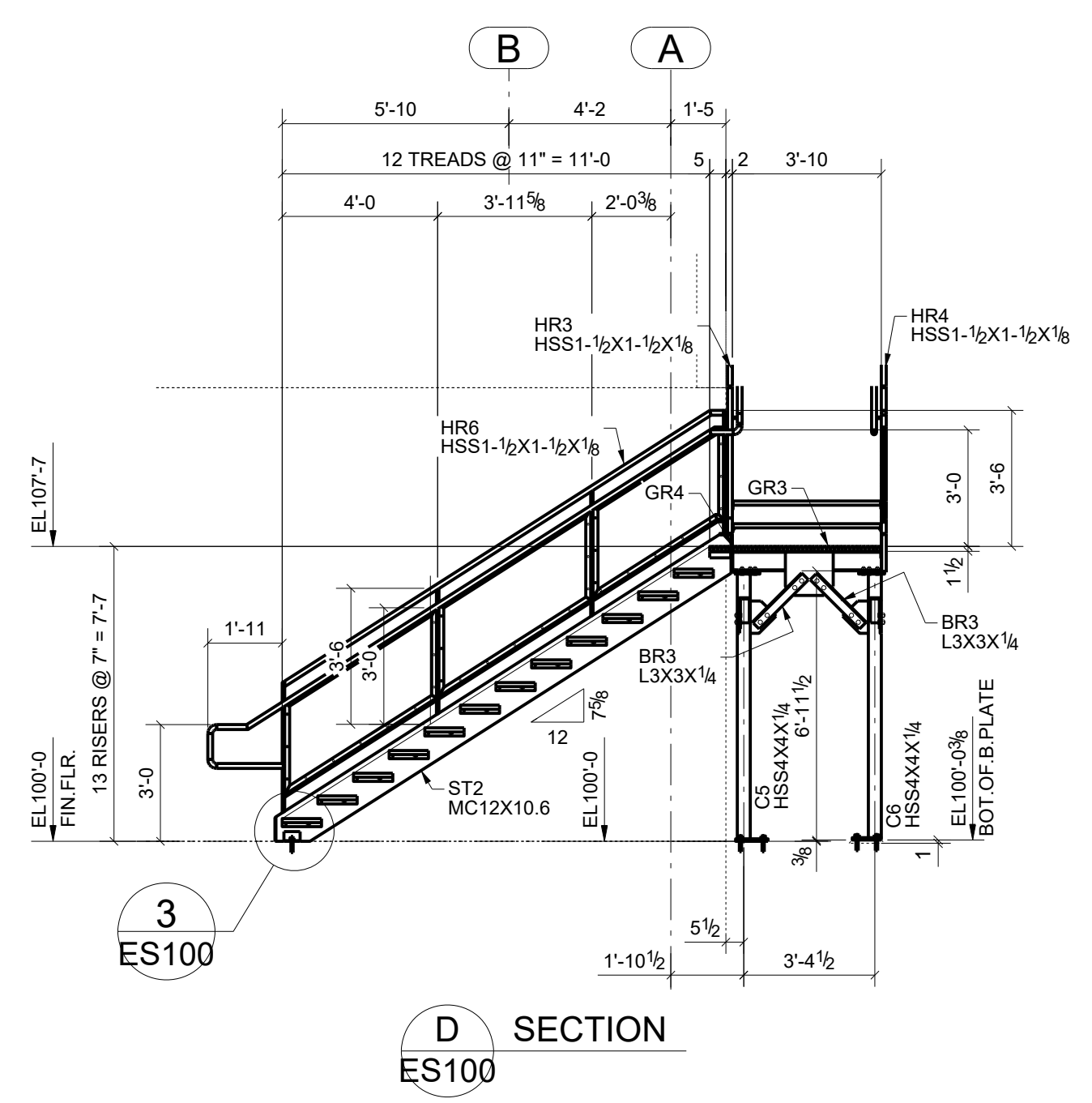
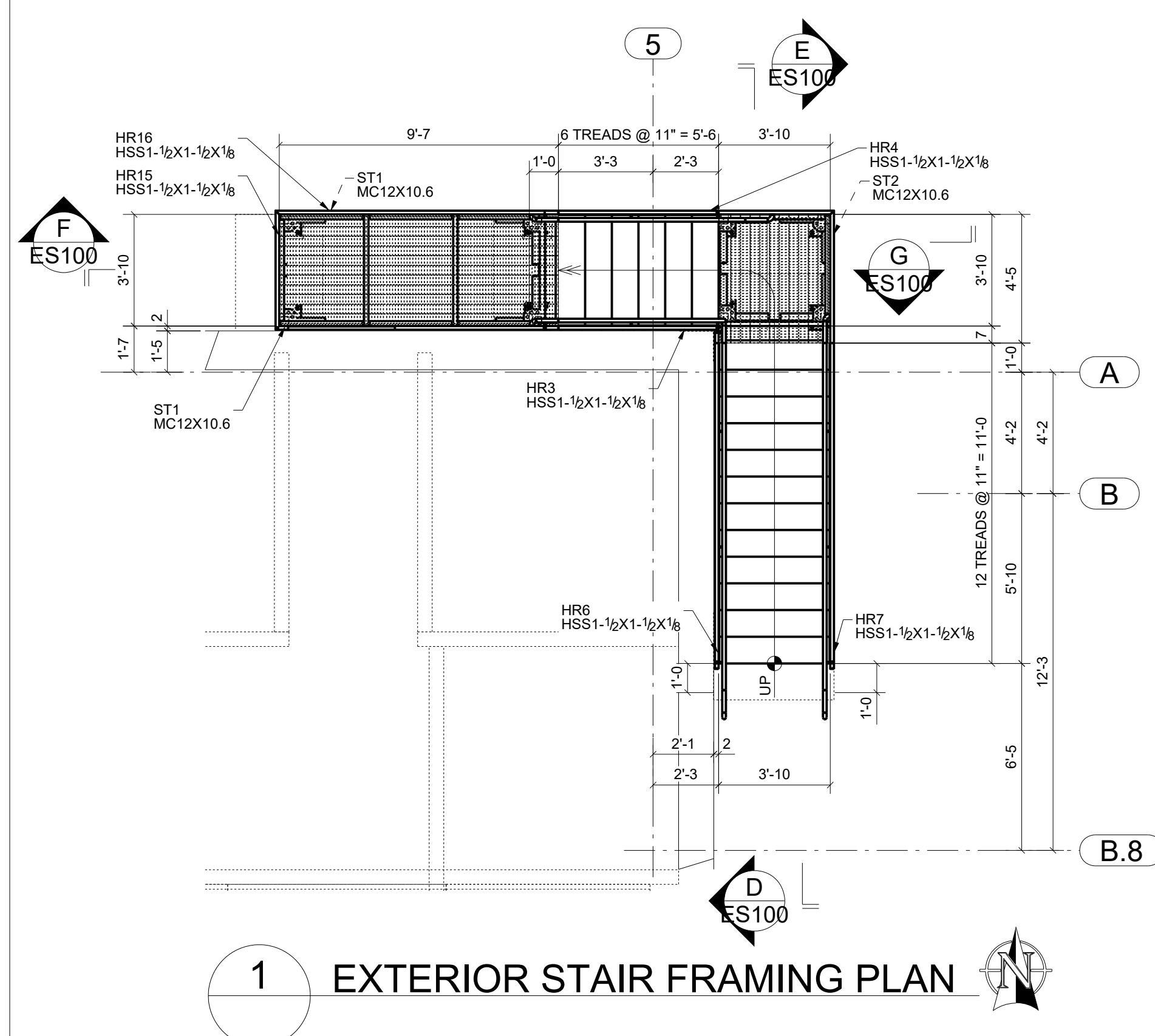
K SECTION E102

ALL VERIFICATION REQUESTS ON THIS SET OF DRAWINGS WILL BE ASSUMED CORRECT AS SHOWN UNLESS OTHERWISE NOTED. WHERE FABRICATOR HAS REQUESTED INFORMATION TO BE PROVIDED, CONTRACTOR IS RESPONSIBLE TO COORDINATE WITH TRADES, ARCHITECT AND ENGINEER AS REQ'D TO COMPLETE VERIFICATION REQUESTS, OR STEEL DELIVERY MAY BE DELAYED. ANY REFABRICATION COST DO TO INCOMPLETE OR INACCURATE VERIFICATION RESPONSES WILL BE BILLED AS EXTRA TO THE GENERAL CONTRACTOR.

NO BACK CHARGES ACCEPTED WITHOUT WRITTEN APPROVAL FROM
REPRODUCTION OR FABRICATION FROM THIS DRAWING IS NOT PERMITTED WITHOUT WRITTEN PERMISSION FROM

ISSUED FOR APPROVAL	DATE	PROJECT:	BLVD PUB & GRUB	DRAWN	DATE
RESUBMITTAL		LOCATION:	WEST FARGO ND	JOB No.	BLVD
PURCHASING		ENGINEER:	CHRIS HAWLEY ARCHITECTS	SH.No.	E102
FABRICATION		CONTRACTOR:			
JOB USE					

1	ISSUED FOR CONSTRUCTION	03/FEB/2016
REV	DESCRIPTION	DATE



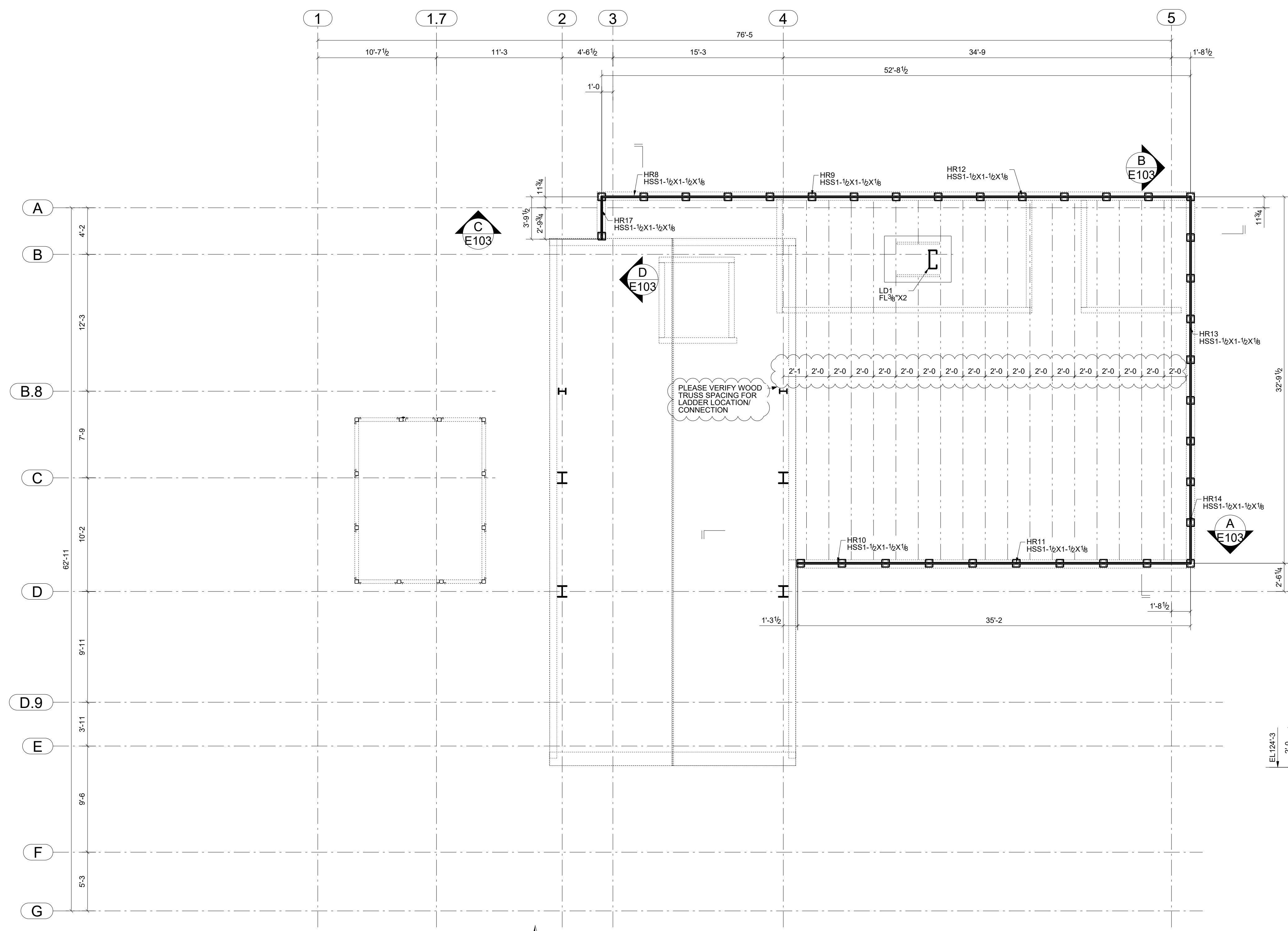
ALL VERIFICATION REQUESTS ON THIS SET OF DRAWINGS WILL BE ASSUMED CORRECT AS SHOWN UNLESS OTHERWISE NOTED. WHERE FABRICATOR HAS REQUESTED INFORMATION TO BE PROVIDED, CONTRACTOR IS RESPONSIBLE TO COORDINATE WITH TRADES, ARCHITECT AND ENGINEER AS REQ'D TO COMPLETE VERIFICATION REQUESTS, OR STEEL DELIVERY MAY BE DELAYED. ANY REFABRICATION COST DO TO INCOMPLETE OR INACCURATE VERIFICATION RESPONSES WILL BE BILLED AS EXTRA TO THE GENERAL CONTRACTOR.

NO BACK CHARGES ACCEPTED WITHOUT WRITTEN APPROVAL FROM .
REPRODUCTION OR FABRICATION FROM THIS DRAWING IS NOT PERMITTED WITHOUT WRITTEN PERMISSION FROM

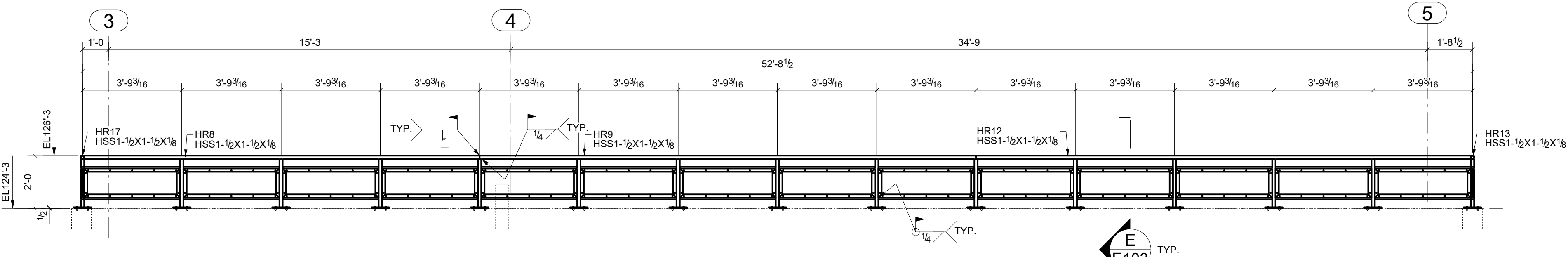
ISSUED FOR APPROVAL	DATE	PROJECT:	BLVD PUB & GRUB
RESUBMITTAL		LOCATION:	WEST FARGO ND
PURCHASING		ENGINEER:	CHRIS HAWLEY ARCHITECTS
FABRICATION		CONTRACTOR:	
JOB USE			

2	ISSUED FOR CONSTRUCTION	03/FEB/2016
REV	DESCRIPTION	DATE

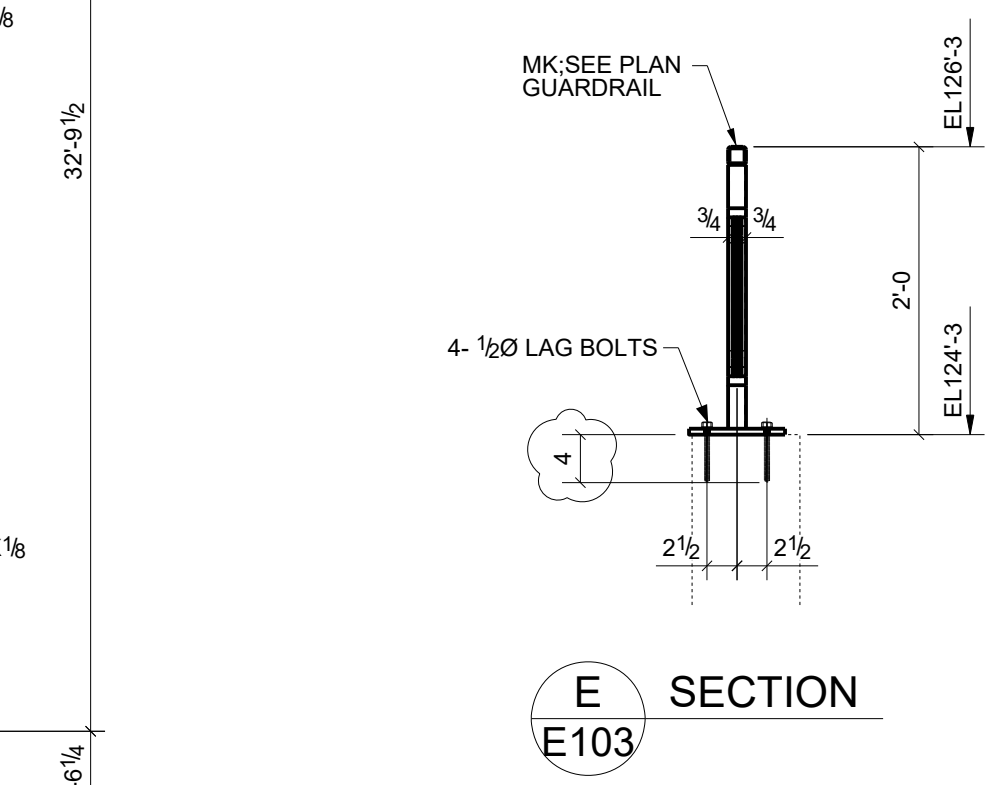
DRAWN	DATE
JOB No.	BLVD
SH No.	ES100



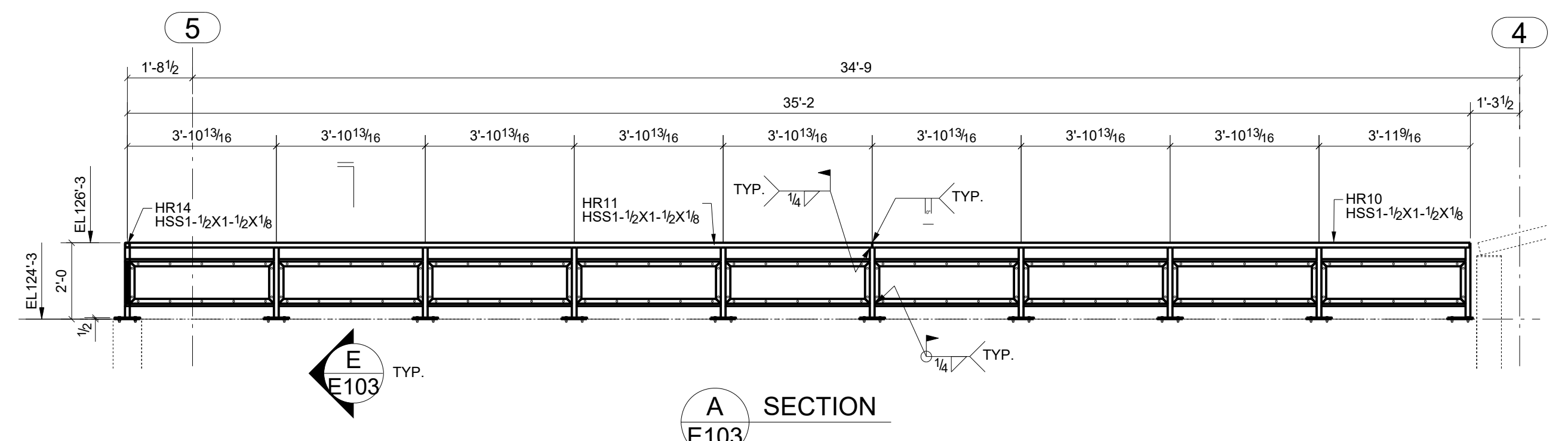
HIGH ROOF PLAN



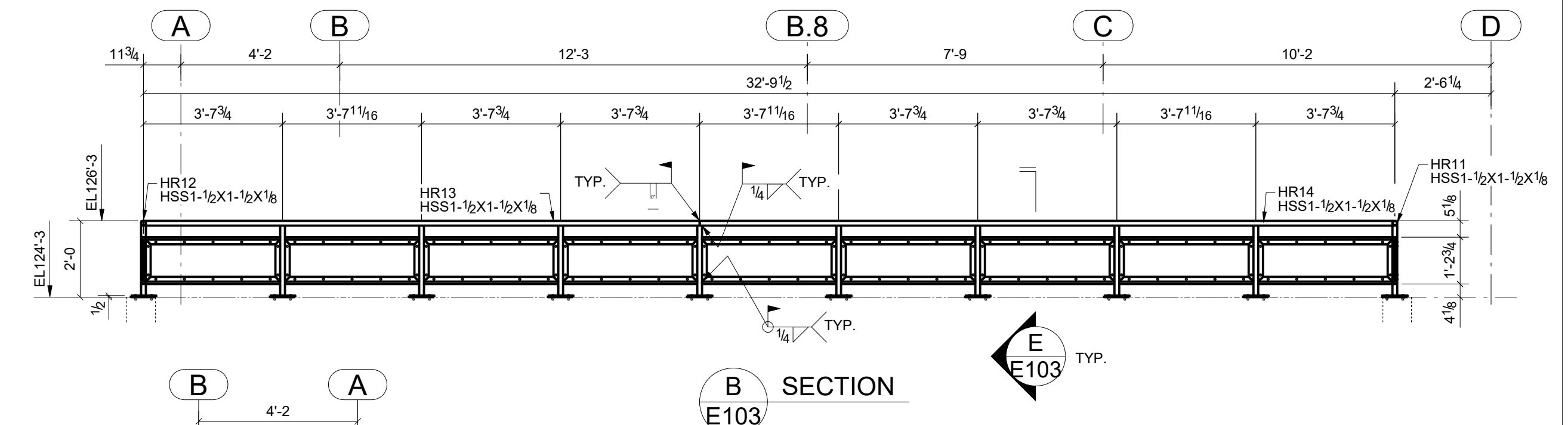
C SECTION E103



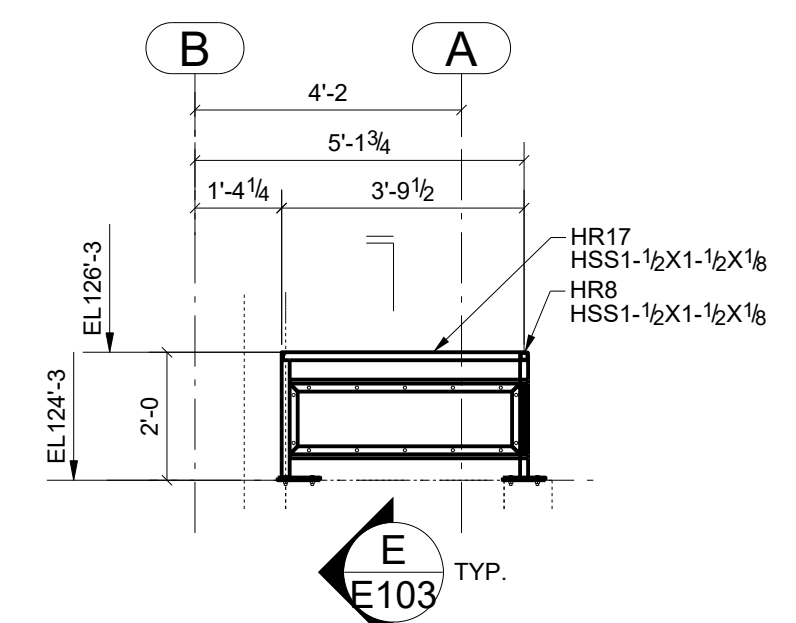
E SECTION E103



A SECTION E103



B SECTION E103



D SECTION E103

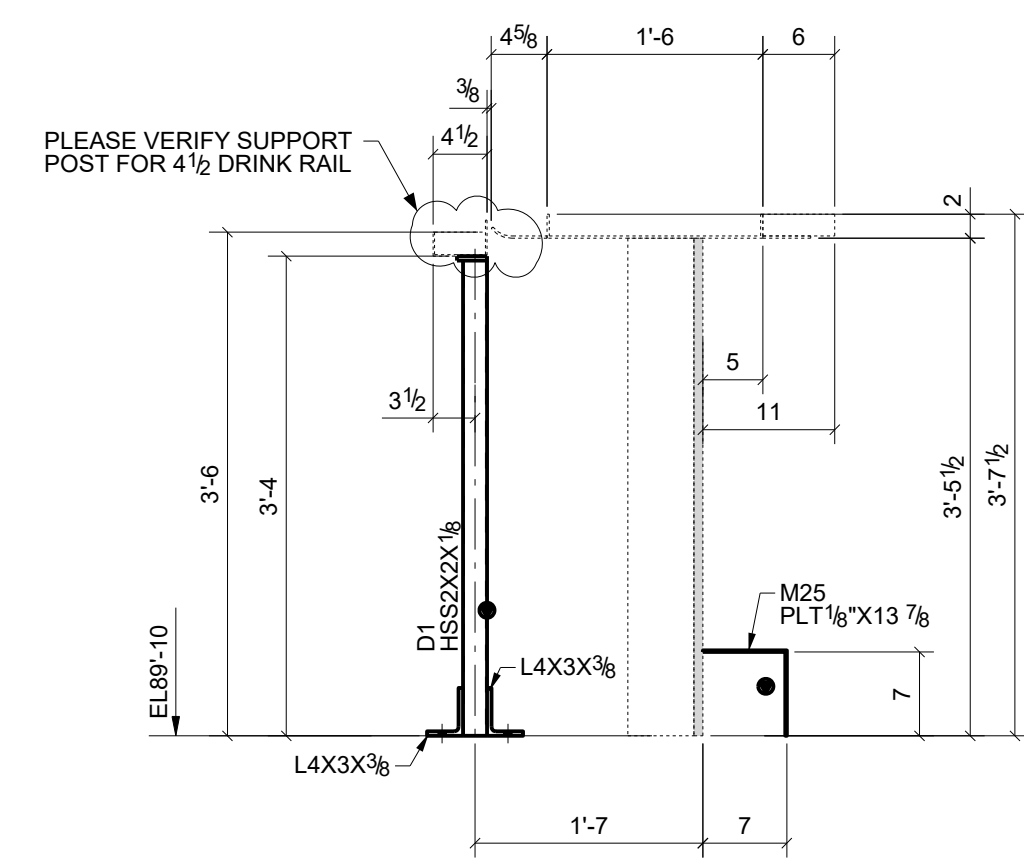
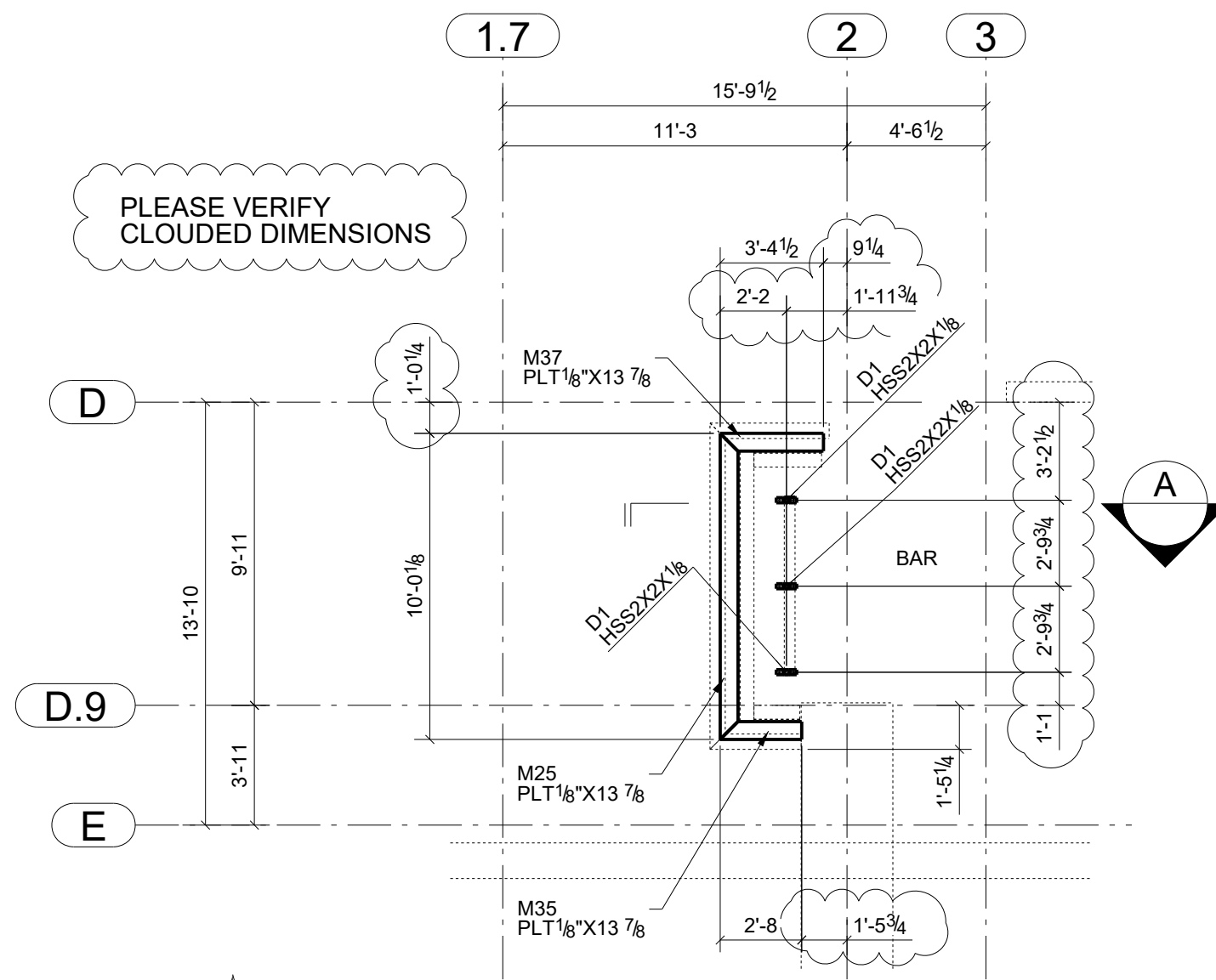
ALL VERIFICATION REQUESTS ON THIS SET OF DRAWINGS WILL BE ASSUMED CORRECT AS SHOWN UNLESS OTHERWISE NOTED. WHERE FABRICATOR HAS REQUESTED INFORMATION TO BE PROVIDED, CONTRACTOR IS RESPONSIBLE TO COORDINATE WITH TRADES, ARCHITECT AND ENGINEER AS REQ'D TO COMPLETE VERIFICATION REQUESTS, OR STEEL DELIVERY MAY BE DELAYED. ANY REFABRICATION COST DO TO INCOMPLETE OR INACCURATE VERIFICATION RESPONSES WILL BE BILLED AS EXTRA TO THE GENERAL CONTRACTOR.

NO BACK CHARGES ACCEPTED WITHOUT WRITTEN APPROVAL FROM
REPRODUCTION OR FABRICATION FROM THIS DRAWING IS NOT PERMITTED WITHOUT WRITTEN PERMISSION FROM

ISSUED FOR APPROVAL	DATE	PROJECT:	BLVD PUB & GRUB
RESUBMITTAL		LOCATION:	WEST FARGO ND
PURCHASING		ENGINEER:	CHRIS HAWLEY ARCHITECTS
FABRICATION		CONTRACTOR:	
JOB USE			

1	ISSUED FOR CONSTRUCTION	03/FEB/2016
REV	DESCRIPTION	DATE

DRAWN	DATE
JOB No.	BLVD
SH No.	E103



A SECTION
E104

BASEMENT BAR PLAN

ALL VERIFICATION REQUESTS ON THIS SET OF DRAWINGS WILL BE ASSUMED CORRECT AS SHOWN UNLESS OTHERWISE NOTED. WHERE FABRICATOR HAS REQUESTED INFORMATION TO BE PROVIDED, CONTRACTOR IS RESPONSIBLE TO COORDINATE WITH TRADES, ARCHITECT AND ENGINEER AS REQ'D TO COMPLETE VERIFICATION REQUESTS, OR STEEL DELIVERY MAY BE DELAYED. ANY REFABRICATION COST DO TO INCOMPLETE OR INACCURATE VERIFICATION RESPONSES WILL BE BILLED AS EXTRA TO THE GENERAL CONTRACTOR.

NO BACK CHARGES ACCEPTED WITHOUT WRITTEN APPROVAL FROM .
REPRODUCTION OR FABRICATION FROM THIS DRAWING IS NOT PERMITTED WITHOUT WRITTEN PERMISSION FROM .

ISSUED FOR APPROVAL	DATE	PROJECT:	BLVD PUB & GRUB
RESUBMITTAL		LOCATION:	WEST FARGO ND
PURCHASING		ENGINEER:	CHRIS HAWLEY ARCHITECTS
FABRICATION		CONTRACTOR:	
JOB USE			

1	ISSUED FOR CONSTRUCTION	03/FEB/2016
REV	DESCRIPTION	DATE
.		

JOB No.	BLVD
SH No.	E104